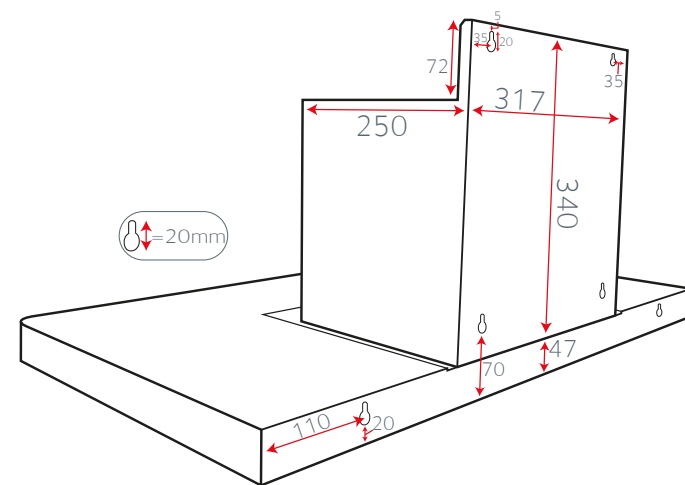
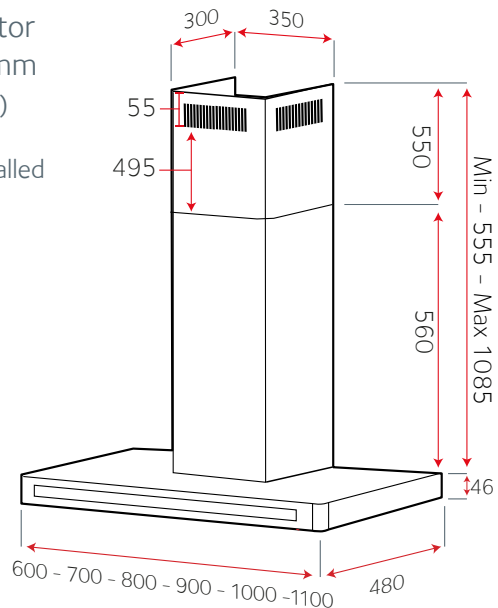




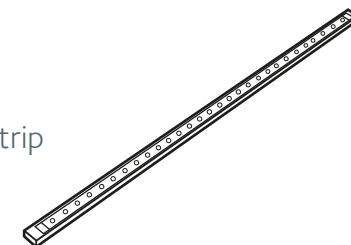
Reducer Collar reduces the motor exhaust from 150mm to 125mm if required (Already supplied in box)

\*\*Please note this hood must be installed on a minimum of 125mm Ducting\*\*

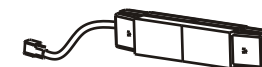
Spare Motor 950 m<sup>3</sup>/hr  
- Fits Models 60cm - 110cm



- 1x 7w LED Light Strip

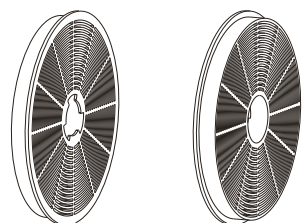


LED Driver  
\*\*Please contact Luxair for more information\*\*



2x Charcoal Filter 6

(2 Filters Per Pack, 1 either side of Motor)



Mesh Grills (current Models)

LA-Linea-All Sizes x1 410x279

\*\*Please note you must measure your mesh grill size. Older models will have different sizes to current models\*\*

